

AOS Technology Ltd  
14 Pate Road  
Melton Mowbray  
Leicestershire, LE13 0RG  
United Kingdom  
Tel: (44) 1664 567711  
Fax: (44) 1664 567712  
[www.aosproducts.com](http://www.aosproducts.com)

## **SPECIFICATIONS**

### **1550 nm Edge-Emitting LED**

#### **DL-US55036D-FS**

DenseLight Semiconductors reserves the right to make product design or specifications changes without notice.

## A. PRODUCT DESCRIPTION

The DenseLight DL-US55036D-FS series is a 1550nm uncooled SLED packaged in TO-56 single mode fiber pigtail. It operates over a wide temperature range from 0 to 65 °C.

For responsive prototyping enquiries please email: [technical@aost.co.uk](mailto:technical@aost.co.uk)

## B. FEATURES

- Ex-fiber output power of  $>250\mu\text{W}$  @ 25 °C
- Center wavelength of 1550nm
- 3dB bandwidth of  $>50\text{nm}$
- TO-56 pigtail package
- Single mode fiber output
- Operating temperature range 0 to 65 °C

### C. ABSOLUTE MAXIMUM RATINGS

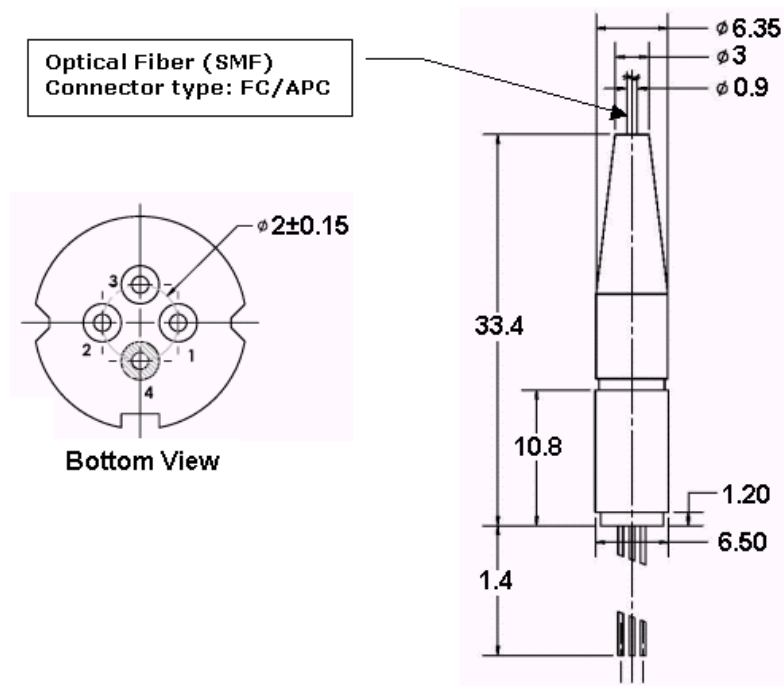
Parameter	Symbol	Condition	Min	Max	Unit
Reverse voltage	$V_R$			2	V
Forward voltage	$V_F$	$I_{op}$		2.5	V
Forward current	$I_F$	CW		180	mA
Case temperature	$T_C$	$I_{op}$	0	65	°C
Storage temperature	$T_{stg}$	Unbiased	-40	85	°C
Storage humidity			5	85	%RH
Electro static discharge (ESD)	$V_{ESD}$	Human body model		500	V
Lead soldering temperature	$S_{temp}$			260	°C
Lead soldering time	$S_{time}$			10	sec

### D. SPECIFICATIONS ( $T_C = 25\text{ °C}$ )

Parameter	Symbol	Condition	Min	Typ	Max	Unit
Forward voltage	$V_F$	$I_{op}$			2	V
Operating current	$I_{op}$	CW			120	mA
Optical output power	$P_o$	$I_{op}$	250			$\mu W$
Center wavelength	$\lambda_c$	$I_{op}$	1520	1550	1580	nm

## E. PACKAGE

Part	Description
Package type	TO-56
Fiber:	SMF-28
MFD	9 $\mu$ m
Cladding diameter	125 $\mu$ m
Coating diameter	245 $\mu$ m
Jacket	900 $\mu$ m loose tube
Fiber pigtail length	1m
Fiber bending radius	>40mm
Connector	FC/APC
Dimensions	See figure

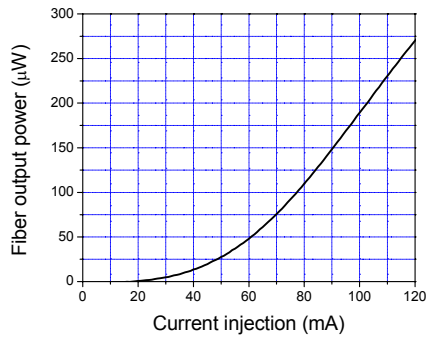


Pin Assignment	Description
1	SLED Anode
2	SLED Cathode
3	NC
4	Case

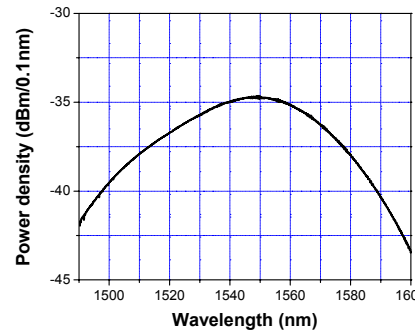


## F. TYPICAL PERFORMANCE CHARACTERISTICS

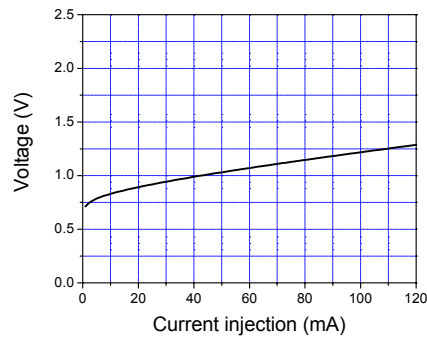
Operating condition:  $T_C = 25\text{ }^\circ\text{C}$



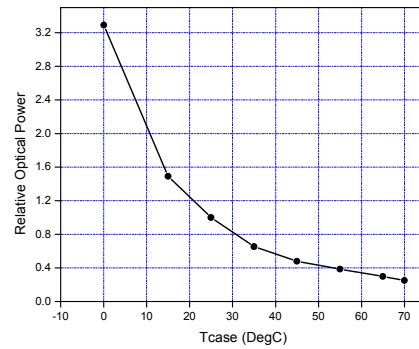
**P-I Curve**



**Spontaneous Emission Spectrum**



**I-V Curve**



**Temperature Dependence of Optical Power**

### Manufacturer Information:

DenseLight Semiconductors PTE. LTD.  
6 Changi North St. 2, S498831 SINGAPORE  
[www.denselight.com](http://www.denselight.com)